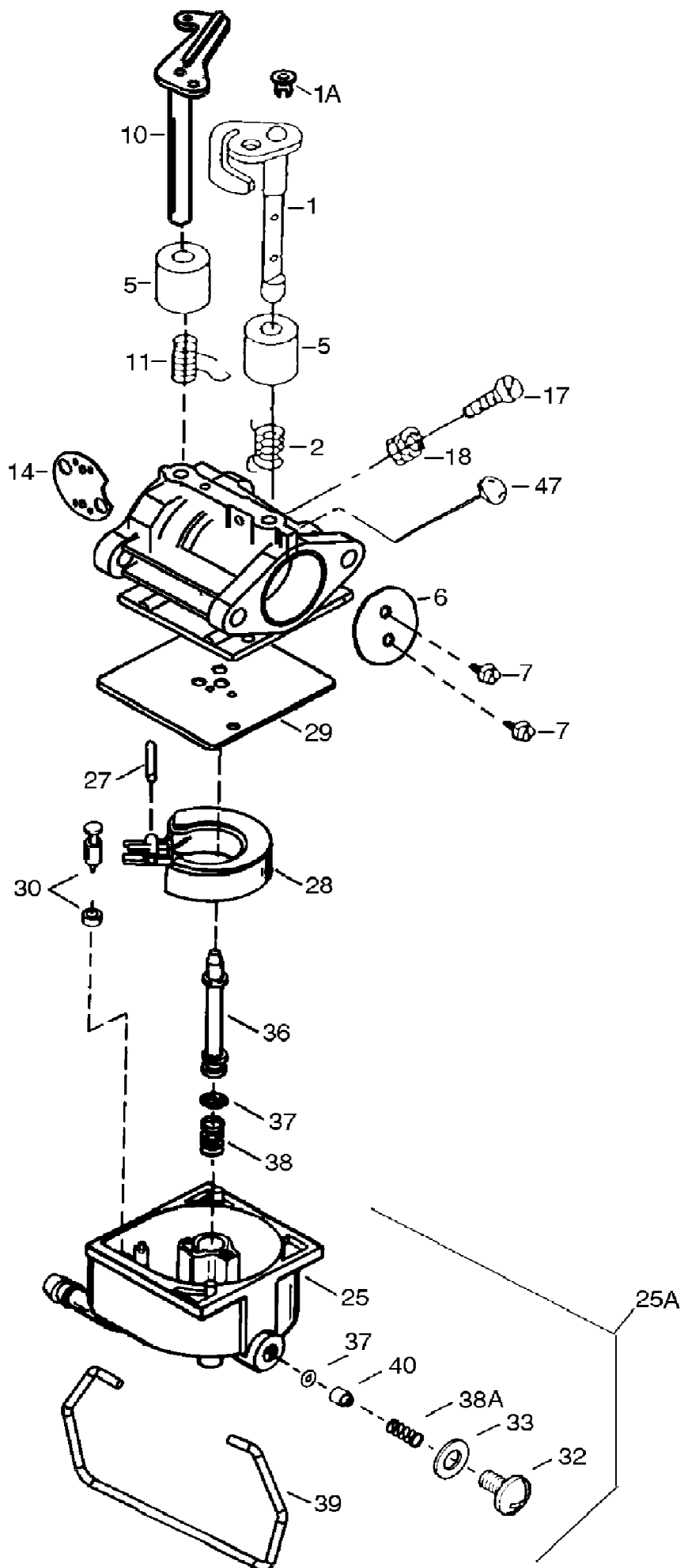


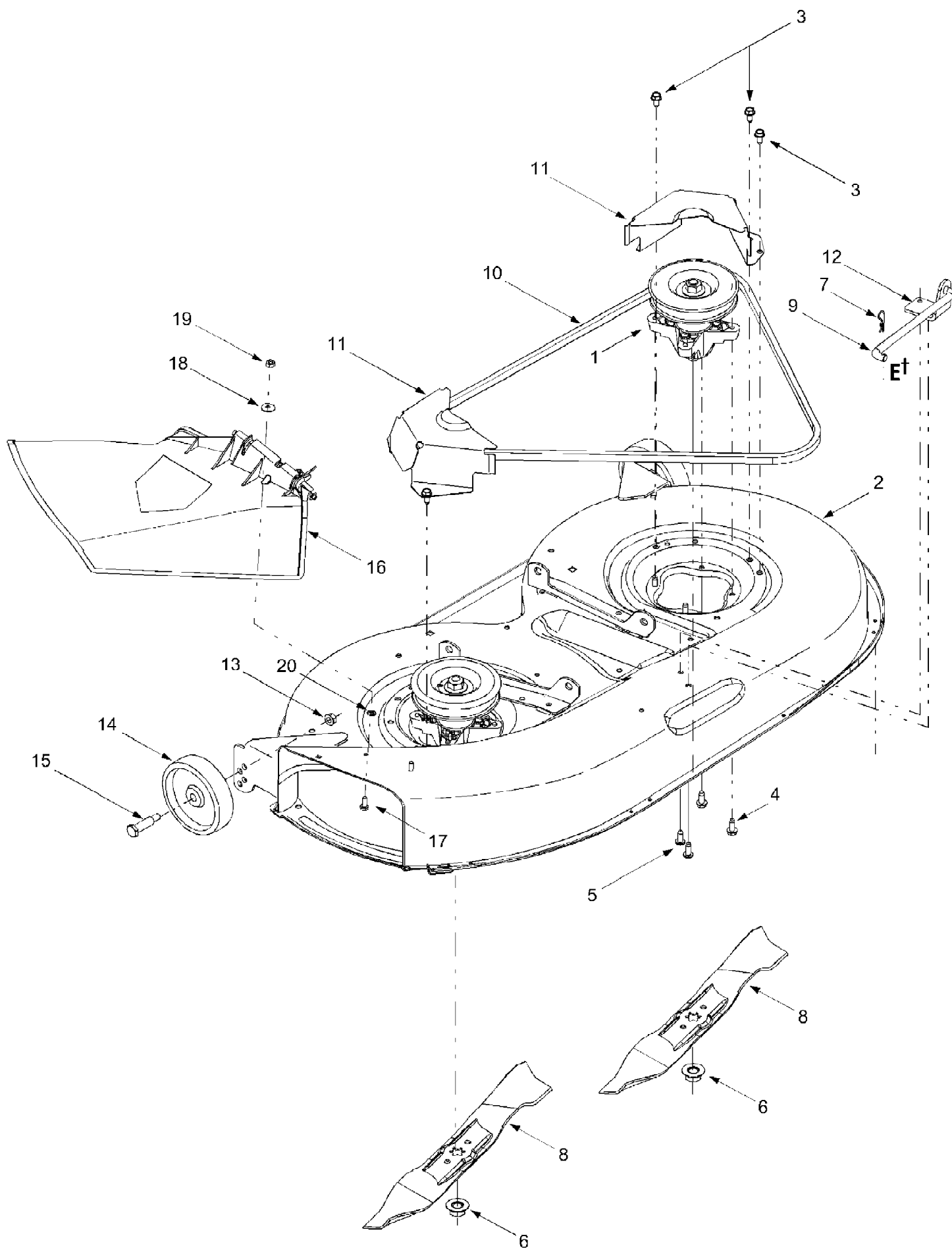
13A2693G190 LT-165 (2003)
Carburetor



13A2693G190 LT-165 (2003)
Carburetor

Page 2 of 31

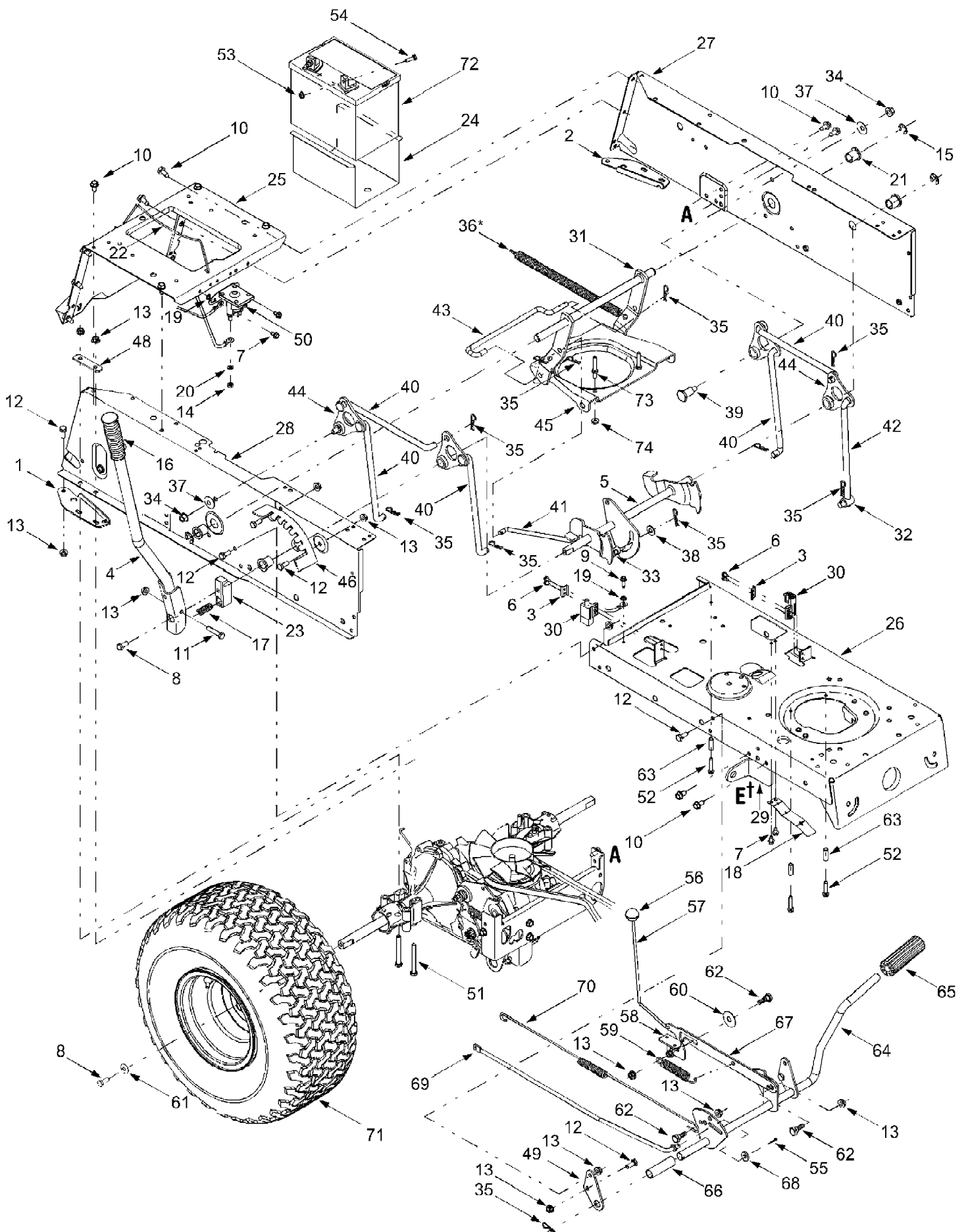
| Ref # | Part Number | Qty | S/P/F | Description |
|-------|-------------|-----|-------|---|
| | TC-640330 | 1 | S | Carburetor (Incl 184 of Engine Parts Lists) |
| 1 | TC-640035 | 1 | | Throttle Shaft & Lever Assembly |
| 1A | TC-36288 | 1 | | Throttle Link Bushing |
| 2 | TC-640036 | 1 | | Throttle Return Spring |
| 5 | TC-640037 | 1 | | Dust Seal |
| 6 | TC-640332 | 1 | | Throttle Shutter |
| 7 | TC-650506 | 1 | | Throttle Shutter Screws |
| 10 | TC-640044 | 1 | | Choke Shaft & Lever Assembly |
| 11 | TC-632785 | 1 | | Choke Return Spring |
| 14 | TC-640913 | 1 | | Choke Shutter |
| 17 | TC-651025 | 1 | | Throttle Crack Screw/Idle Speed Screw |
| 18 | TC-630766 | 1 | | Tension Spring |
| 25 | TC-640331 | 1 | | Float Bowl Assembly |
| 25A | TC-630334 | 1 | | Bowl Kit |
| 27 | TC-632544 | 1 | | Float Shaft |
| 28 | TC-632543 | 1 | /P | Float |
| 29 | TC-640047 | 1 | /P | Float Bowl to Body Gasket |
| 30 | TC-632709 | 1 | /P | Inlet Needle & Seat |
| 32 | TC-640041 | 1 | | Bowl Drain Screw |
| 33 | TC-27110A | 1 | | Bowl Drain Washer |
| 36 | TC-640067 | 1 | | Main Nozzle Tube |
| 37 | TC-632547 | 1 | | O-Ring |
| 38 | TC-632545 | 1 | /P | Spring, Main Nozzle Tube |
| 38A | TC-36918 | 1 | | Spring |
| 39 | TC-640218A | 1 | | Float Bowl Retainer |
| 40 | TC-632788 | 1 | | Main Fuel Jet |
| 47 | TC-630748 | 1 | | Welch Plug, Idle Mixing Well |
| | TC-611221 | 1 | /P | Fuel Solenoid Shut Off Not Shown |



13A2693G190 LT-165 (2003)
Deck Assembly

Page 4 of 31

| Ref # | Part Number | Qty | S/P/F | Description |
|-------|-------------|-----|-------|-----------------------------------|
| 1 | 618-0142A | 1 | S | Spindle Assembly |
| 2 | 683-04035A | 1 | S | Deck Shell |
| 3 | 710-0726 | 1 | /P | Self-tapping Screw, 5/16-12 x .75 |
| 4 | 710-1260A | 1 | /P | Screw, 5/16-18 x .75 |
| 5 | 710-1611B | 1 | /P | Self-tapping Screw, 5/16-18 x .75 |
| 6 | 712-0417A | 1 | /P | Hex Flange Nut, 5/8-18 |
| 7 | 714-04023 | 1 | S | Internal Cotter Pin, .080 x 1.56 |
| 8 | 742-0616A | 1 | S | Blade, 21.23" |
| 9 | 747-04018 | 1 | S | Deck Hanger Link/Anti-sway Rod |
| 10 | 754-0371A | 1 | S | Deck Belt |
| 11 | 783-04149A | 1 | | Belt Cover |
| 12 | 783-04211 | 1 | S | Anti-sway Stabilizer Bracket |
| 13 | 712-0431 | 1 | S | Flange Lock Nut, 3/8-16 |
| 14 | 734-0973 | 1 | /P | Deck Wheel, 5 x 1.38 |
| 15 | 738-0373 | 1 | S | Shoulder Screw, .498 x 1.53 |
| 16 | 731-1032 | 1 | S | Discharge Chute Assembly |
| 17 | 710-0751 | 1 | /P | Hex Cap Screw: 1/4-20 x .620 |
| 18 | 736-0270 | 1 | /P | Bell Washer, .265 x .75 x .062 |
| 19 | 712-3006 | 1 | /P | Hex Nut, 1/4-20 |
| 20 | 726-0233 | 1 | /P | Push Nut, 1/4 |



13A2693G190 LT-165 (2003)
Drive & Rear Axle

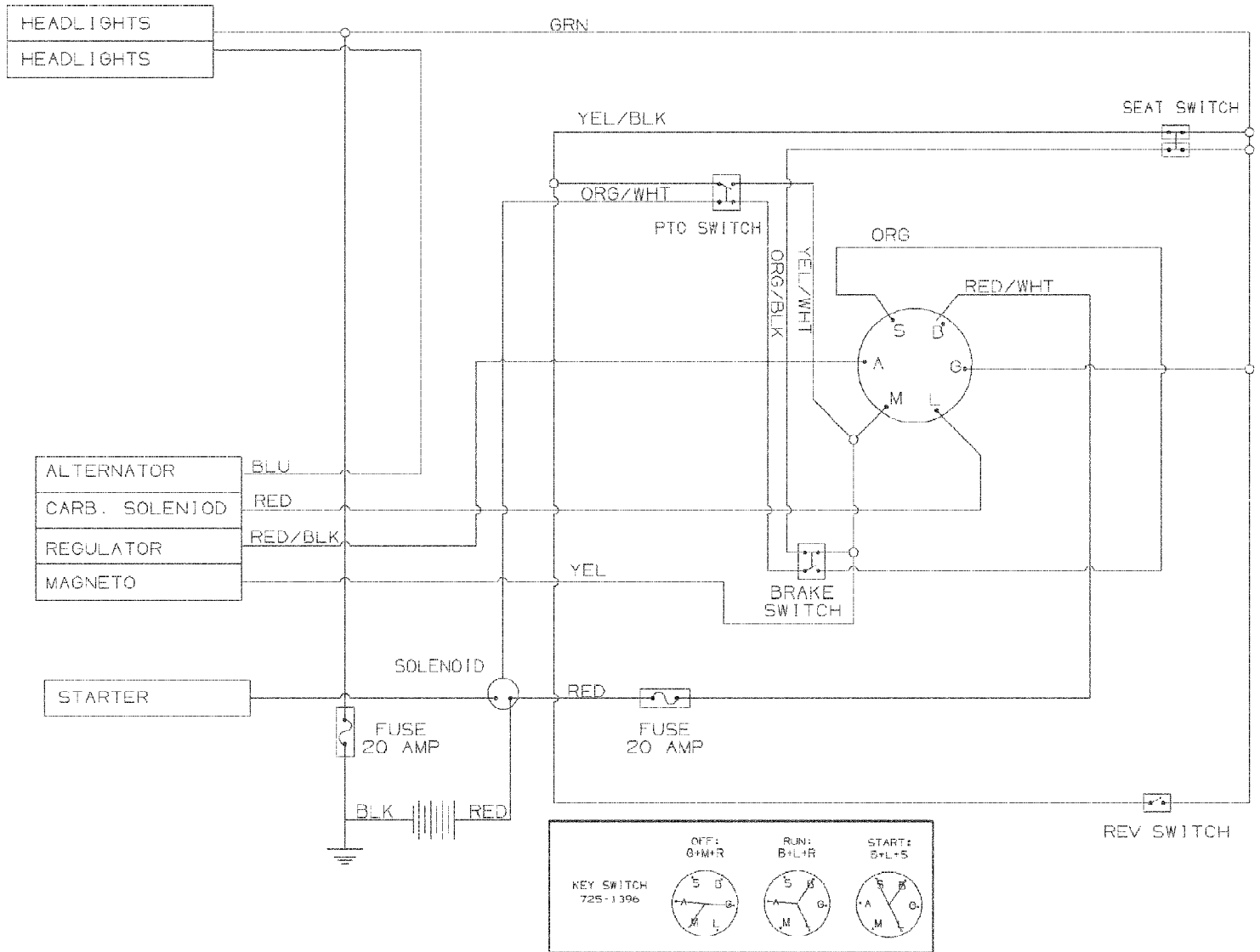
Page 6 of 31

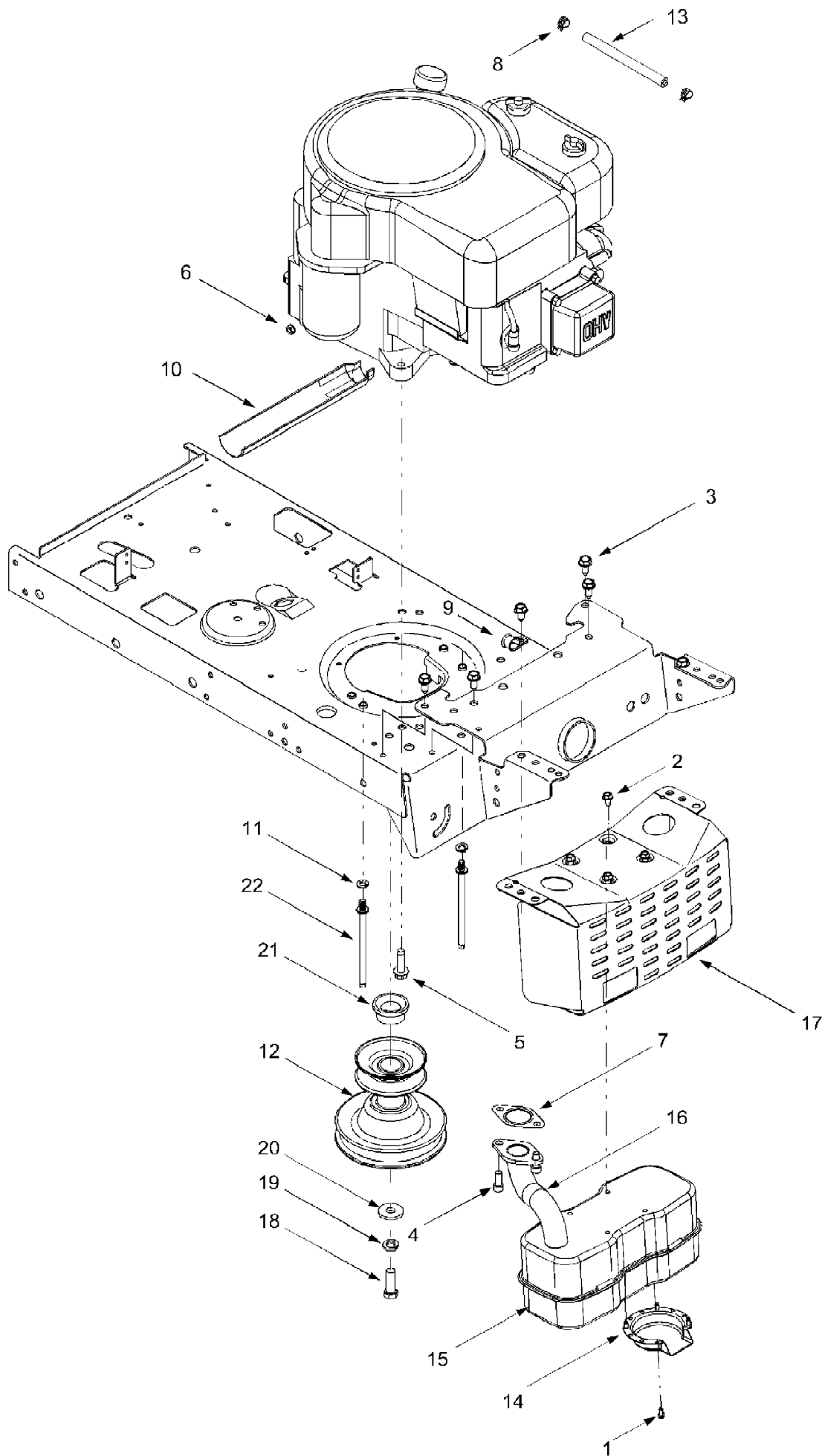
| Ref # | Part Number | Qty | S/P/F | Description |
|-------|-------------|-----|-------|-----------------------------------|
| 1 | 17668A | 1 | S | RH Axle Support Bracket |
| 2 | 17669A | 1 | S | LH Axle Support Bracket |
| 3 | 17962 | 1 | | Switch Plate |
| 4 | 683-04025 | 1 | | Lift Handle Assembly |
| 5 | 683-04049 | 1 | S | Lift Shaft Assembly |
| 6 | 710-0224 | 1 | S | Self-tapping Screw, #10-16 x .5 |
| 7 | 710-0599 | 1 | /P | Self-tapping Screw, 1/4-20 x .5 |
| 8 | 710-0627 | 1 | /P | Hex Cap Screw, 5/16-24 x .75 |
| 9 | 710-0642 | 1 | /P | Self-tapping Screw, 1/4-20 x .75 |
| 10 | 710-0726 | 1 | /P | Self-tapping Screw, 5/16-12 x .75 |
| 11 | 710-0805 | 1 | /P | Hex Cap Screw, 5/16-18 x 1.5 |
| 12 | 710-3008 | 1 | /P | Hex Screw, 5/16-18 x .75 |
| 13 | 712-3004A | 1 | /P | Flange Lock Nut, 5/16-18 |
| 14 | 712-3006 | 1 | /P | Hex Nut, 1/4-20 |
| 15 | 716-0106 | 1 | /P | E-Ring, .625 Dia Shaft |
| 16 | 720-0233 | 1 | S | Handle Grip |
| 17 | 732-0369 | 1 | S | Compression Spring, .55 x 1.37 |
| 18 | 732-0750A | 1 | S | Switch Actuator Spring |
| 19 | 736-0222 | 1 | S | External Lock Washer, 1/4 |
| 20 | 736-0329 | 1 | S | Lock Washer, 1/4 |
| 21 | 741-0487A | 1 | S | Flange Bearing, .632 ID |
| 22 | 747-04031 | 1 | | Battery Hold-down Rod |
| 23 | 748-04011 | 1 | S | Lift Shaft Connector |
| 24 | 783-0345 | 1 | S | Battery Tray |
| 25 | 783-0355C | 1 | | Hitch Plate |
| 26 | 783-04011 | 1 | | Lower Frame |
| 27 | 783-04031 | 1 | S | LH Upper Frame Side Panel |
| 28 | 783-04032 | 1 | | RH Upper Frame Side Panel |
| 29 | 783-04213 | 1 | S | Deck Anti-sway Bracket |
| 30 | 725-04039 | 1 | S | Screw-mount Interlock Switch |
| 31 | 683-04048 | 1 | S | Stabilizer Shaft Assembly |
| 32 | 711-04036 | 1 | S | Ferrule, 1/2-20 x .50 |
| 33 | 711-04075 | 1 | S | Ferrule, 3/8-24 x .375 |
| 34 | 712-0431 | 1 | S | Flange Lock Nut, 3/8-16 |
| 35 | 714-04023 | 1 | S | Internal Cotter Pin, .080 x 1.56 |
| 36 | 732-04097A | 1 | | Extension Spring, .76 x 13 |
| 37 | 736-0219 | 1 | S | Bell Washer, .389 x 1.12 x .030 |
| 38 | 736-0267 | 1 | S | Flat Washer, .385 x .87 x .060 |
| 39 | 738-0445A | 1 | S | Shoulder Bolt, 3/8-16 x .62 x .92 |
| 40 | 747-04018 | 1 | S | Deck Hanger Link |
| 41 | 747-04040A | 1 | | Deck Disengagement Rod |
| 42 | 747-04069 | 1 | S | Deck Hanger Link |
| 43 | 747-04115A | 1 | /P | Rear Stabilizer Rod |
| 44 | 748-04010 | 1 | S | Lift Link |
| 45 | 783-04093 | 1 | S | Deck Stabilizer Bracket |
| 46 | 783-04113 | 1 | S | Deck Lift Index Bracket |
| ?47 | 17630A | 1 | S | Shift Lever Retainer |
| 48 | 17840 | 1 | S | Transaxle Mounting Bracket |
| 49 | 17860 | 1 | S | Pedal Mounting Bracket |
| 50 | 725-1426 | 1 | S | Solenoid |
| 51 | 710-0176 | 1 | /P | Hex Cap Screw, 5/16-18 x 2.75 |
| 52 | 710-0809 | 1 | | Self-tapping Screw, 1/4-20 x 1.25 |
| 53 | 712-0271 | 1 | | Self-tapping Screw, 1/4-20 |

13A2693G190 LT-165 (2003)
Drive & Rear Axle

Page 7 of 31

| Ref # | Part Number | Qty | S/P/F | Description |
|-------|-------------|-----|-------|--|
| 54 | 710-3015 | 1 | /P | Hex Screw, 1/4-20 x .75 |
| 55 | 714-0111 | 1 | S | Cotter Pin, 1.0 |
| 56 | 720-0166 | 1 | /P | Ball Knob |
| 57 | 747-0608B | 1 | S | Brake Lockout Rod |
| 58 | 17755A | 1 | | Bracket |
| 59 | 732-0728 | 1 | | Extension Spring, 4.31 |
| 60 | 736-0406 | 1 | S | Flat Washer, .442 x 1.38 x .060 |
| 61 | 736-0242 | 1 | /P | Bell Washer, .34 x .872 x .060 |
| 62 | 738-0296 | 1 | S | Shoulder Screw, .437 x .286 |
| 63 | 750-0566A | 1 | /P | Spacer, .260 x .372 x 1.030 |
| 64 | 683-04005A | 1 | | Clutch / Brake Pedal Assembly |
| 65 | 735-0196 | 1 | S | Foot Pad, 4.6 |
| 66 | 750-0802 | 1 | | Spacer, .640 x .76 x 2.63 |
| 67 | 783-04164 | 1 | | Brake Lockout Bracket |
| 68 | 736-3008 | 1 | S | Flat Washer, .344 x .750 x .120 |
| 69 | 732-04032A | 1 | | Extension Spring, 22.16 |
| 70 | 747-04082 | 1 | | Brake Rod |
| 71 | 634-0104 | 1 | | Square Shoulder Wheel Ass'y Complete |
| 72 | 725-1706 | 1 | S | Battery, 270 CCA |
| 73 | 712-3027 | 1 | S | Flange Lock Nut, 1/4-20 |
| 74 | 711-0993 | 1 | S | Belt Guard Pin, 1/4-20 |
| | 634-0104 | 1 | | Wheel Ass'y Complete (Square Shoulder) |
| | 634-0070 | 1 | /P | Rim Assembly (Square Shoulder) |
| | 734-1730 | 1 | | Tire Only (20 x 8 x 8) Square Shoulder |
| | 734-0255 | 1 | S | Air Valve (Square Shoulder) |

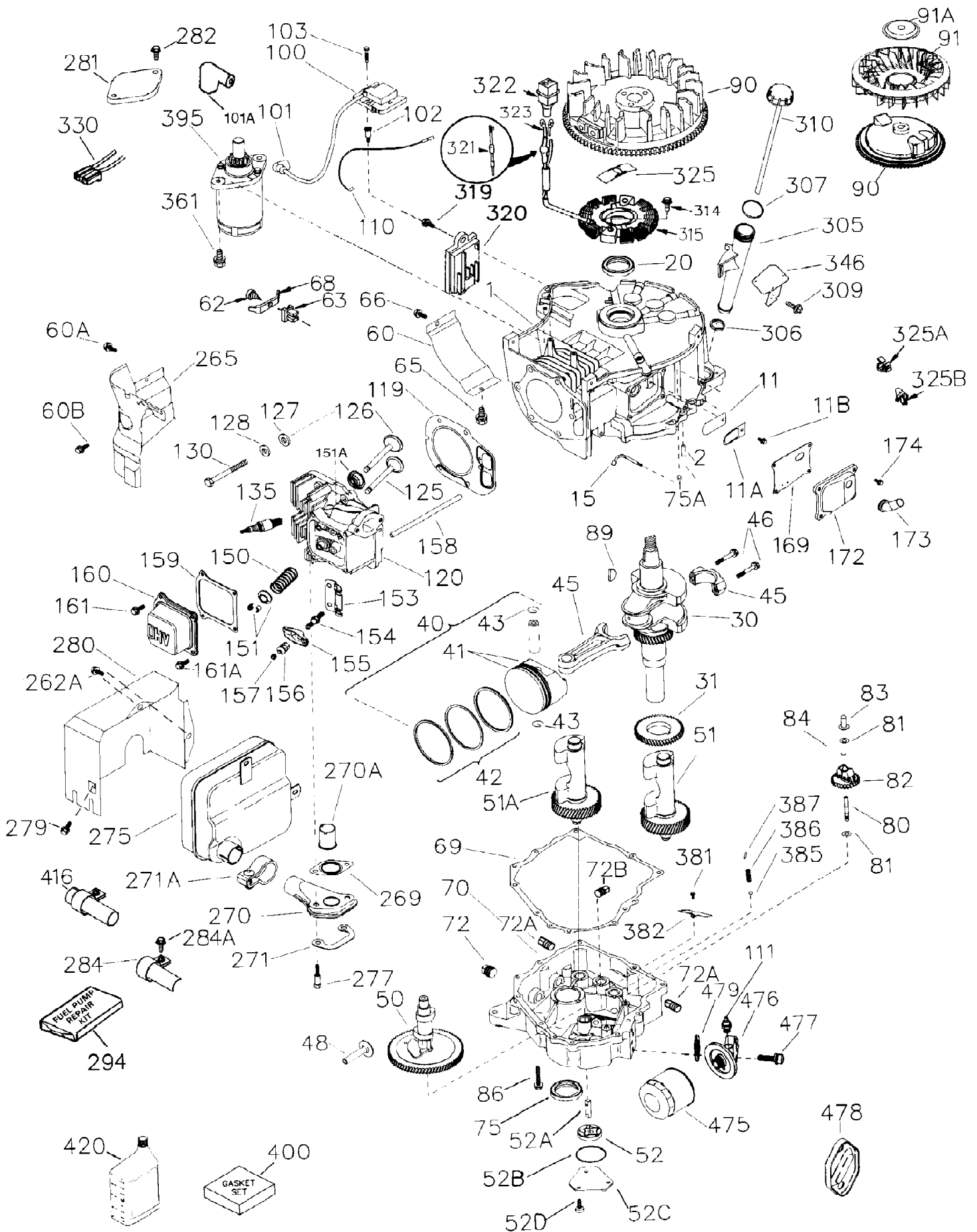




13A2693G190 LT-165 (2003)
Engine Accessories

Page 10 of 31

| Ref # | Part Number | Qty | S/P/F | Description |
|-------|-------------|-----|-------|-----------------------------------|
| 1 | 710-0148 | 1 | /P | Screw, #8-32 x .375 |
| 2 | 710-0599 | 1 | /P | Self-tapping Screw, 1/4-20 x .5 |
| 3 | 710-0726 | 1 | /P | Self-tapping Screw, 5/16-12 x .75 |
| 4 | 710-1314A | 1 | /P | Socket Cap Screw, 5/16-18 x .625 |
| 5 | 710-1315 | 1 | /P | Self-tapping Screw, 3/8-16 x 1.25 |
| 6 | 712-0271 | 1 | /P | Hex Sems Nut, 1/4-20 |
| 7 | 721-0348 | 1 | | Exhaust Gasket |
| 8 | 726-0205 | 1 | /P | Hose Clamp, .490 |
| 9 | 726-0272 | 1 | /P | Clamp, 9/16 |
| 10 | 731-1682A | 1 | /P | Oil Drain Sleeve |
| 11 | 736-0119 | 1 | S | Lock Washer, 5/16 |
| 12 | 756-04011 | 1 | S | Engine Pulley, 3.56 x 5.56 |
| 13 | 751-0535 | 1 | | Fuel Line Hose |
| 14 | 751-0564 | 1 | S | Muffler Deflector |
| 15 | 751-0617 | 1 | S | Muffer, Single Inlet |
| 16 | 751-0620 | 1 | S | Exhaust Pipe |
| 17 | 783-0615B | 1 | S | Muffler Heat Shield |
| 18 | 710-3029 | 1 | /P | Hex Screw, 7/16-20 x 1.25 |
| 19 | 736-0171 | 1 | S | Lock Washer, 7/16 |
| 20 | 736-0322 | 1 | /P | Flat Washer, .450 x 1.25 x .164 |
| 21 | 750-0956 | 1 | | Spacer, 1.0 x 1.4 x .825 |
| 22 | 711-1044 | 1 | S | Belt Keeper Pin, 5/16 x 4.75 |



13A2693G190 LT-165 (2003)
Engine List 1

Page 12 of 31

| Ref # | Part Number | Qty | S/P/F | Description |
|-------|-------------|-----|-------|--|
| 2 | TC-27652 | 1 | | Dowel Pin |
| 11 | TC-36302 | 1 | | Check Valve |
| 11A | TC-36303 | 1 | | Breather Plate |
| 11B | TC-650902 | 1 | | Screw, 10-32 x 7/16" |
| 15 | TC-37754 | 1 | | Governor Rod |
| 20 | TC-36301 | 1 | /P | Oil Seal |
| 30 | TC-36512 | 1 | | Crankshaft |
| 31 | TC-36515 | 1 | | Counterbalance Gear |
| 40 | TC-36312 | 1 | | Piston, Pin & Ring Set (Std.) |
| 40 | TC-36313 | 1 | | Piston, Pin & Ring Set (.010" OS) |
| 40 | TC-36314 | 1 | | Piston, Pin & Ring Set (.020" OS) |
| 41 | ~N/A | 1 | | Piston & Pin Ass'y (Std.) (.010" OS) (.020" OS) (Incl. 43) |
| 42 | TC-36315 | 1 | | Ring Set (Std.) |
| 42 | TC-36316 | 1 | | Ring Set (.010" OS) |
| 42 | TC-36317 | 1 | | Ring Set (.020" OS) |
| 43 | TC-35772 | 1 | | Piston Pin Retaining Ring |
| 45 | TC-36318A | 1 | | Connecting Rod (Incl. 46) |
| 45 | TC-36319A | 1 | | Connecting Rod Ass'y. (.010" US) (Incl. 46) |
| 45 | TC-36320A | 1 | | Connecting Rod Ass'y. (.020" US) (Incl. 46) |
| 46 | TC-651063 | 1 | | Connecting Rod Bolt |
| 48 | TC-36321 | 1 | | Valve Lifter |
| 50 | TC-36533A | 1 | | Camshaft (MCR) |
| 51 | TC-36513 | 1 | | Counterbalance Weight |
| 51A | TC-36514 | 1 | | Counterbalance Weigh |
| 52 | TC-37305 | 1 | | Oil Pump Ass'y. |
| 52A | TC-36331 | 1 | | Oil Pump Shaft |
| 52B | TC-36333 | 1 | | "O" Ring Kit (P) |
| 52C | TC-36334 | 1 | | Oil Pump Cover (Incl. 52B) |
| 52D | TC-650888 | 1 | | Screw, T-30, 1/4-20 x 43/64" |
| 60 | TC-36361 | 1 | | Air Baffle |
| 60A | TC-650273 | 1 | | Screw, 5-16/18 x 17/32" |
| 60B | TC-650867 | 1 | | Screw, 10-24 x 1/2" |
| 62 | | 1 | | UNKNOWN |
| 63 | | 1 | | UNKNOWN |
| 65 | TC-30063 | 1 | | Screw, T-30, 1/4-20 x 1/2" |
| 66 | TC-650737 | 1 | | Screw, 1/4-20 x 1/2" |
| 68 | | 1 | | UNKNOWN |
| 69 | TC-36565 | 1 | | Mounting Flange Gasket Kit (P) |
| 70 | TC-37304A | 1 | | Mounting Flange (Incl. 72B, 75, 80, 381-387) |
| 72 | | 1 | | UNKNOWN |
| 72A | TC-28483 | 1 | | Oil Drain Plug |
| 72B | TC-28534 | 1 | | Pipe Plug |
| 75 | TC-36301 | 1 | /P | Oil Seal 75A TC-510337 Oil Seal |
| 75A | | 1 | | UNKNOWN |
| 80 | TC-35712 | 1 | | Governor Shaft |
| 81 | TC-35479A | 1 | | Washer |
| 82 | TC-37756 | 1 | | Governor Gear Ass'y. |
| 83 | TC-35322 | 1 | | Governor Spool |
| 84 | TC-29193 | 1 | | Retaining Ring |
| 86 | TC-650970 | 1 | | Screw, 1/4-20 x 1-15/32" |
| 89 | TC-650592 | 1 | | Flywheel Key |

13A2693G190 LT-165 (2003)
Engine List 1

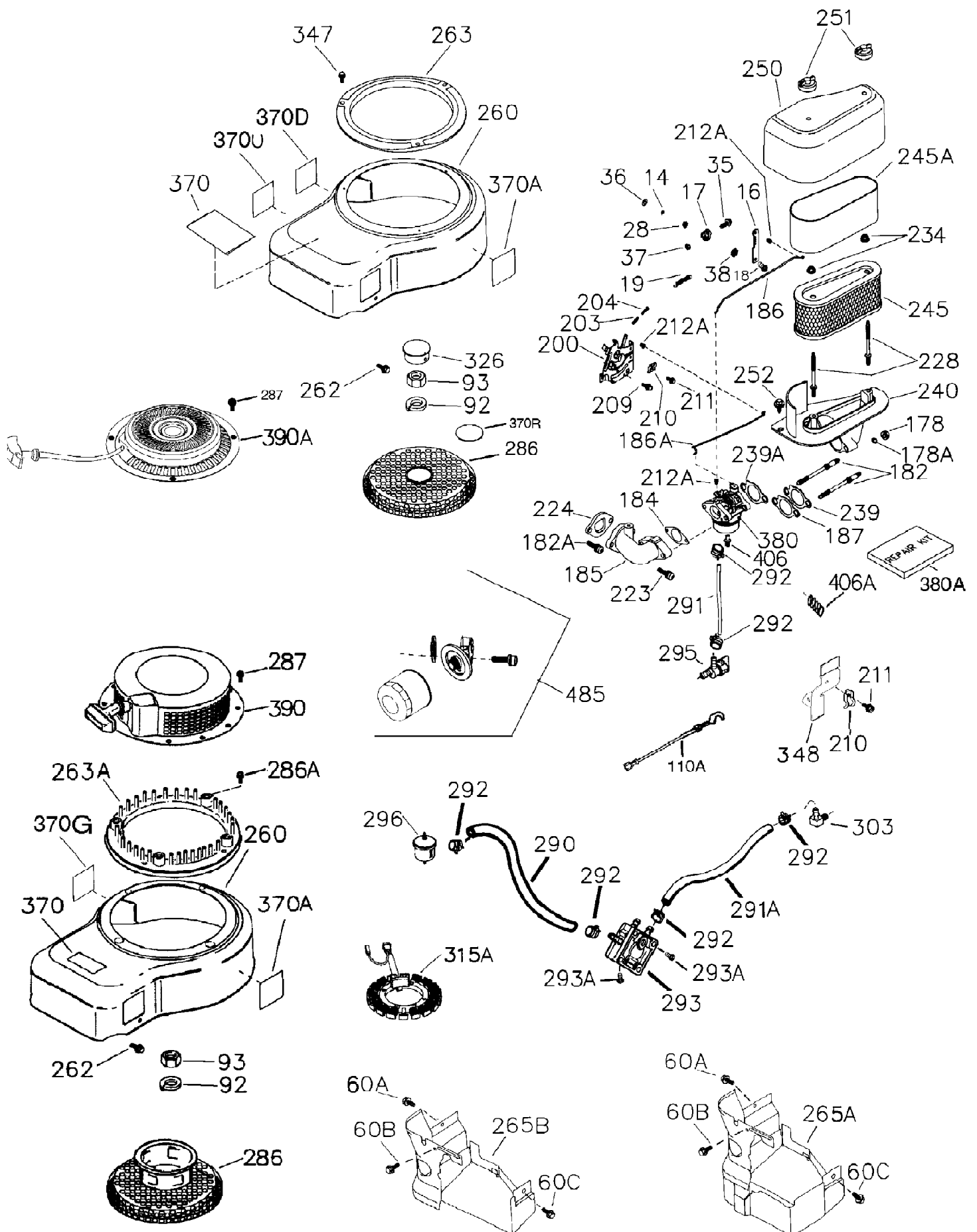
Page 13 of 31

| Ref # | Part Number | Qty | S/P/F | Description |
|-------|-------------|-----|-------|--|
| 90 | TC-611243 | 1 | | Flywheel |
| 91 | TC-611241 | 1 | S | Flywheel Fan |
| 91A | TC-611242 | 1 | | Flywheel Fan Retainer |
| 100 | TC-36344A | 1 | /P | Solid State Ignition (Incl. 101) |
| 101 | TC-610118 | 1 | | Spark Plug Cover |
| 101A | | 1 | | UNKNOWN |
| 102 | TC-651024 | 1 | | Solid State Mounting Stud |
| 103 | TC-651007 | 1 | | Screw, T-15, 10-24 x 15/16" |
| 110 | TC-37494 | 1 | | Ground Wire |
| 111 | | 1 | | UNKNOWN |
| 119 | TC-37493 | 1 | | Cylinder Head Gasket Kit (P) |
| 120 | TC-37757 | 1 | | Cylinder Head (Incl. 119, 151A & 270A) |
| 125 | TC-35308 | 1 | | Exhaust Valve (Std.) |
| 125 | TC-35433 | 1 | | Exhaust Valve (1/32" OS) |
| 126 | TC-35309 | 1 | | Intake Valve (Std.) |
| 127 | TC-650691 | 1 | | Washer |
| 128 | TC-650690 | 1 | | Belleville Washer |
| 130 | TC-650946 | 1 | | Screw, 5/16-18 x 2-45/64" |
| 135 | TC-34645 | 1 | /P | Resistor Spark Plug (RN4C) |
| 150 | TC-33507 | 1 | | Valve Spring |
| 151 | TC-33508 | 1 | | Valve Spring Keeper |
| 151A | TC-40046 | 1 | | Intake Valve Seal |
| 153 | TC-36339 | 1 | | Push Rod Guide |
| 154 | TC-651077 | 1 | | Rocker Arm Stud |
| 155 | TC-35950 | 1 | | Rocker Arm |
| 156 | TC-36341 | 1 | | Rocker Arm Bearing |
| 157 | | 1 | | UNKNOWN |
| 158 | TC-36340 | 1 | | Push Rod |
| 159 | TC-35952 | 1 | /P | Rocker Arm Cover Gasket Kit (P) |
| 160 | TC-35953A | 1 | | Rocker Arm Housing |
| 161 | TC-30063 | 1 | | Screw, T-30, 1/4-20 x 1/2" |
| 161A | | 1 | | UNKNOWN |
| 169 | TC-36304 | 1 | | Breather Gasket Kit (P) |
| 172 | TC-36305 | 1 | | Valve Cover |
| 173 | TC-36306 | 1 | | Breather Tube |
| 174 | TC-30063 | 1 | | Screw, T-30, 1/4-20 x 1/2" |
| 262A | | 1 | | UNKNOWN |
| 265 | TC-36615 | 1 | | Cylinder Head Cover |
| 269 | | 1 | | UNKNOWN |
| 270 | | 1 | | UNKNOWN |
| 270A | TC-35829A | 1 | | Exhaust Port Liner |
| 271 | | 1 | | UNKNOWN |
| 271A | | 1 | | UNKNOWN |
| 275 | | 1 | | UNKNOWN |
| 277 | | 1 | | UNKNOWN |
| 279 | | 1 | | UNKNOWN |
| 280 | | 1 | | UNKNOWN |
| 281 | | 1 | | UNKNOWN |
| 282 | | 1 | | UNKNOWN |
| 284 | | 1 | | UNKNOWN |
| 284A | | 1 | | UNKNOWN |
| 294 | TC-35791 | 1 | | Pulse Pump Repair Kit |
| 305 | TC-36349 | 1 | | Oil Filter |

13A2693G190 LT-165 (2003)
Engine List 1

Page 14 of 31

| Ref # | Part Number | Qty | S/P/F | Description |
|-------|-------------|-----|-------|--|
| 306 | TC-37401 | 1 | | "O" Ring Kit (P) |
| 307 | TC-35499 | 1 | /P | "O" Ring |
| 309 | TC-650974 | 1 | | Screw, 1/4-20 x 57/64" |
| 310 | TC-36366 | 1 | | Dipstick |
| 314 | TC-651007 | 1 | | Screw, T-15, 10-24 x 15/16" |
| 315 | TC-611280 | 1 | /P | Alternator Coil (3/5 Split) (Incl. 321, 322 & 323) |
| 319 | | 1 | | UNKNOWN |
| 320 | | 1 | | UNKNOWN |
| 321 | TC-611161 | 1 | /P | Diode |
| 322 | TC-611281 | 1 | | Connector Body |
| 323 | TC-611282 | 1 | | Terminal |
| 325 | TC-36342 | 1 | | Wire Clip |
| 325A | | 1 | | UNKNOWN |
| 325B | TC-37230 | 1 | | Wire Clip |
| 330 | | 1 | | UNKNOWN |
| 346 | TC-36413 | 1 | | Fuel Pump Bracket |
| 361 | TC-650969 | 1 | | Screw, 15/16-18 x 29/32" |
| 381 | TC-650767 | 1 | | Screw, 8-32 x 27/64" |
| 382 | TC-36328 | 1 | | Oil Strainer Screen |
| 385 | TC-570673 | 1 | | Ball |
| 386 | TC-36329 | 1 | | Pressure Relief Spring |
| 387 | TC-37652 | 1 | | Cotter Pin |
| 395 | TC-36795 | 1 | /P | Electric Starter Motor (12 Volt) |
| 400 | TC-37496 | 1 | | Gasket Set (Incl. Items Marked PK in Notes) |
| 416 | | 1 | | UNKNOWN |
| 420 | | 1 | | UNKNOWN |
| 475 | TC-36563 | 1 | /P | Oil Filter |
| 476 | TC-37789 | 1 | | Oil Filter Adapter (Incl. 477 & 479) |
| 477 | TC-651087 | 1 | | Screw, T-30, 5/16-18 x 2" |
| 478 | | 1 | | UNKNOWN |
| 479 | TC-36335 | 1 | | Oil Filter Adapter Gasket |

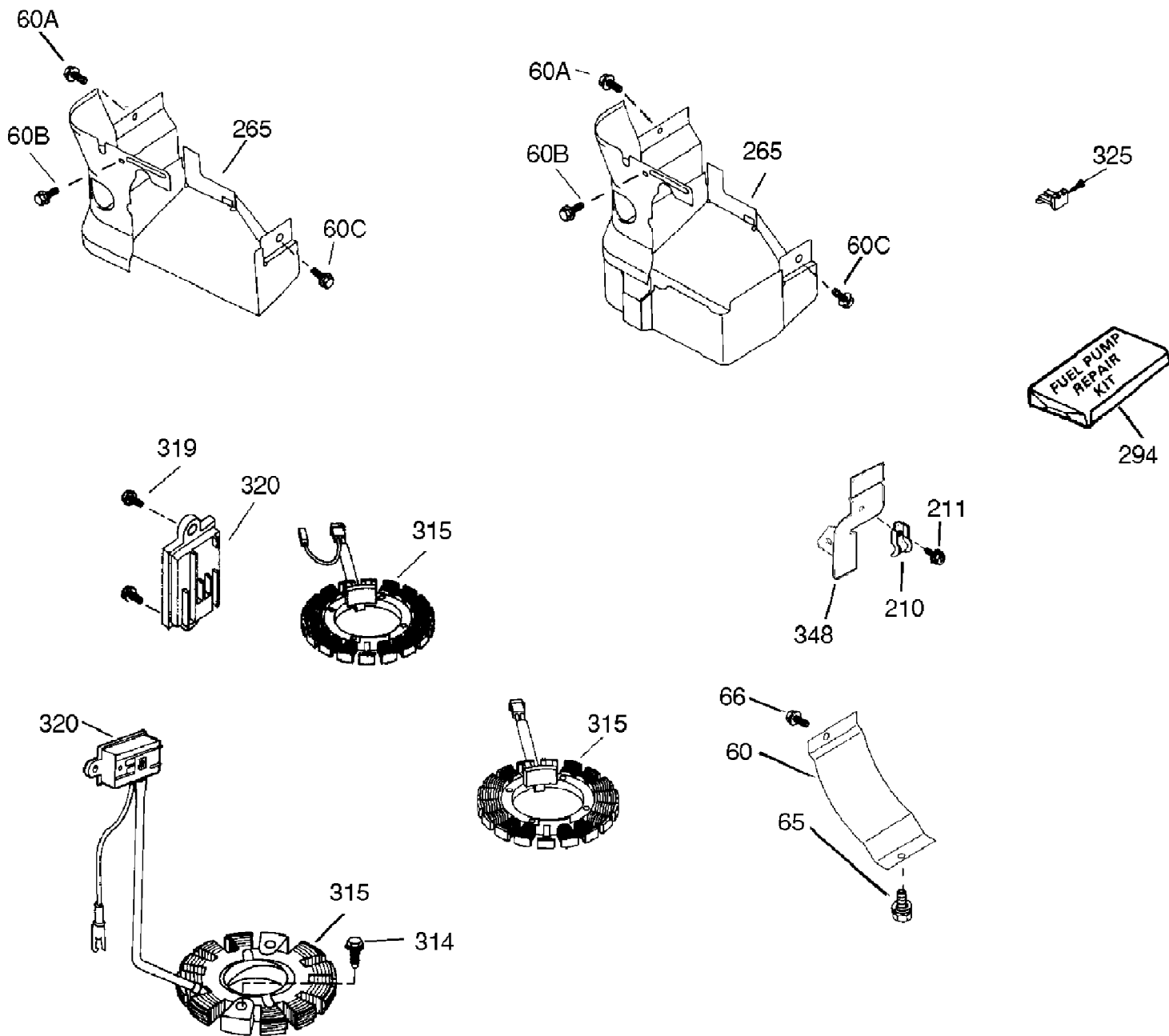


| Ref # | Part Number | Qty | S/P/F | Description |
|-------|-------------|-----|-------|--|
| 14 | TC-651052 | 1 | | Washer |
| 16 | TC-37758 | 1 | | Governor Lever |
| 17 | TC-29916 | 1 | | Governor Lever Clamp |
| 18 | TC-651028 | 1 | | Screw, T-15, 8-32 x 7/16" |
| 19 | TC-37766 | 1 | | Extension Spring |
| 28 | TC-30322 | 1 | | Lock Nut, 8-32 |
| 35 | TC-29826 | 1 | | Screw, 10-32 x 3/4" |
| 36 | TC-29918 | 1 | | Lock Washer |
| 37 | TC-29216 | 1 | | Lock Nut, 10-32 |
| 38 | TC-37109 | 1 | | Retaining Ring |
| 60A | TC-650273 | 1 | | Screw, 5-16/18 x 17/32" |
| 60B | TC-650867 | 1 | | Screw, 10-24 x 1/2" |
| 60C | TC-650737 | 1 | | Screw, 1/4-20 x 1/2" |
| 92 | TC-651082 | 1 | | Belleville Washer |
| 93 | TC-650594 | 1 | | Flywheel Nut |
| 110A | TC-36917 | 1 | | Ground Wire & Terminal |
| 178 | TC-650928 | 1 | | Wing Nut, 1/4-20 |
| 178A | | 1 | | UNKNOWN |
| 182 | TC-650925A | 1 | | Carburetor Mounting Stud |
| 182A | | 1 | | UNKNOWN |
| 184 | TC-36352 | 1 | /P | Carburetor To Intake Pipe Gasket Kit (P) |
| 185 | TC-37767 | 1 | | Intake Pipe |
| 186 | TC-36354 | 1 | | Governor Link |
| 186A | TC-36353 | 1 | | Choke Link |
| 187 | | 1 | | UNKNOWN |
| 200 | TC-36360 | 1 | | Control Bracket (Incl. 203, 204, 212A) |
| 203 | TC-36482 | 1 | | Compression Spring |
| 204 | TC-651019 | 1 | | Screw, T-10, 6-32 x 41/64" |
| 209 | TC-650902 | 1 | | Screw, 10-32 x 7/16" |
| 210 | TC-27793 | 1 | /P | Conduit Clip |
| 211 | TC-28942 | 1 | /P | Screw, 10-32 x 3/8" |
| 212A | TC-36288 | 1 | | Bushing |
| 223 | TC-650975 | 1 | | Screw, T-30, 5/16-18 x 1-9/32" |
| 224 | TC-36490 | 1 | | Intake Pipe Gasket Kit (P) |
| 228 | TC-650977 | 1 | | Air Cleaner Stud |
| 234 | TC-650825 | 1 | /P | Nut & Lock Washer, 1/4-20 |
| 239 | TC-36358 | 1 | /P | Air Cleaner Gasket Kit (P) |
| 239A | | 1 | | UNKNOWN |
| 240 | TC-36355 | 1 | | Air Cleaner Body (Incl. 228 & 239) |
| 245 | TC-36356 | 1 | /P | Air Cleaner Filter (Incl. 229) |
| 245A | TC-36357 | 1 | /P | Air Cleaner Filter |
| 250 | TC-36359 | 1 | S | Air Cleaner Cover |
| 251 | TC-650886 | 1 | /P | Wing Nut, 1/4-20 |
| 252 | TC-650976 | 1 | | Screw, 1/4-20 x 19/32" |
| 260 | TC-36347 | 1 | | Blower Housing |
| 262 | TC-650737 | 1 | | Screw, 1/4-20 x 1/2" |
| 263A | | 1 | | UNKNOWN |
| 263 | TC-36367 | 1 | | Trim Ring (Black) |
| 265A | | 1 | | UNKNOWN |
| 265B | | 1 | | UNKNOWN |
| 286 | TC-36343 | 1 | | Cup & Screen |
| 286A | | 1 | | UNKNOWN |
| 287 | | 1 | | UNKNOWN |

13A2693G190 LT-165 (2003)
Engine List 2

Page 17 of 31

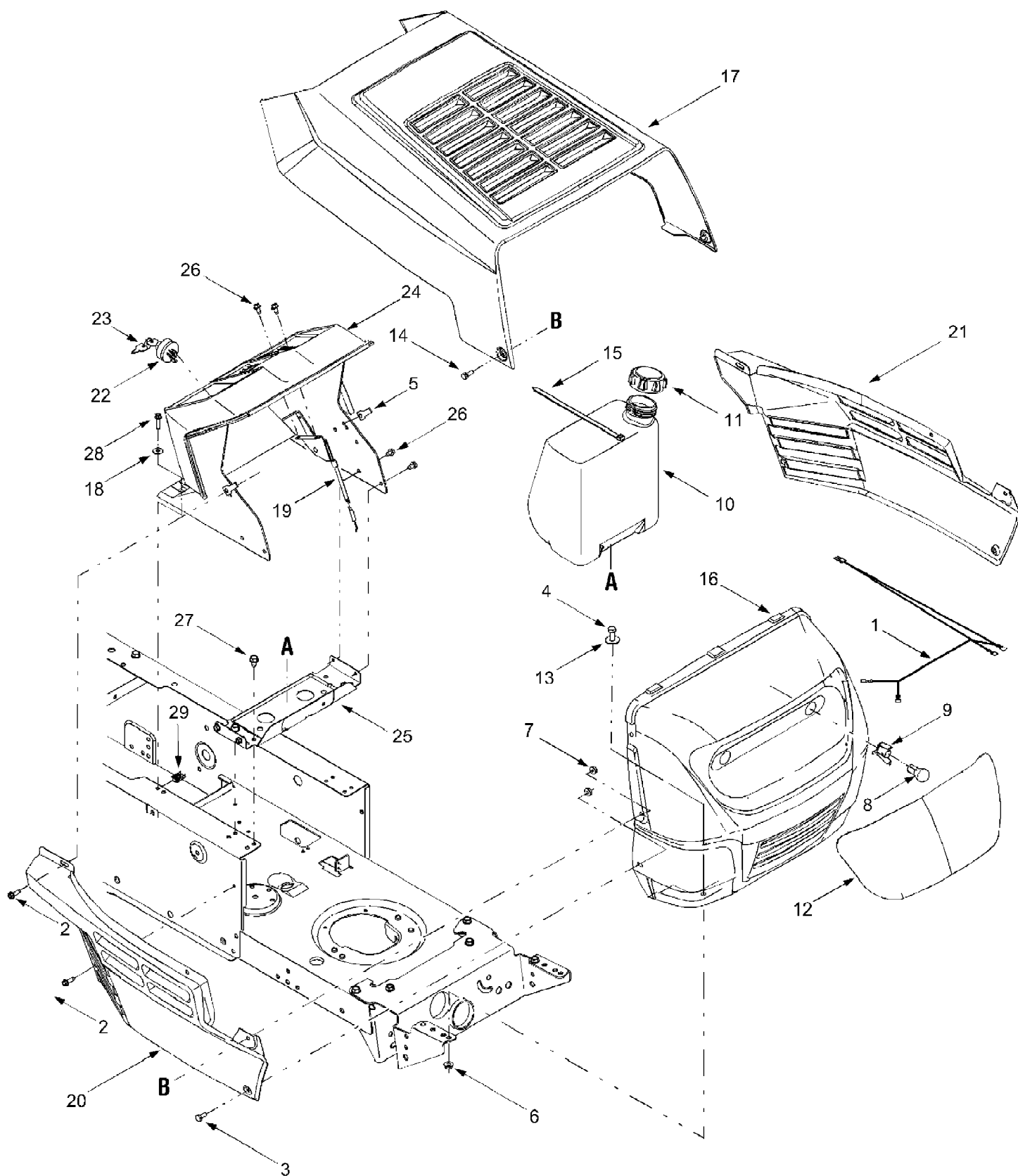
| Ref # | Part Number | Qty | S/P/F | Description |
|-------|-------------|-----|-------|---|
| 290 | | 1 | | UNKNOWN |
| 291 | ~N/A | 1 | | Fuel Line |
| 291 | TC-30705 | 1 | /P | Fuel Line |
| 291A | ~N/A | 1 | | Fuel Line |
| 292 | TC-26460 | 1 | /P | Fuel Line Clamp |
| 293 | TC-35787 | 1 | S | Pulse Pump (Incl. 294) |
| 293A | TC-650931 | 1 | | Screw, 8-32 x 1-1/2" |
| 295 | | 1 | | UNKNOWN |
| 296 | TC-37768 | 1 | /P | Fuel Filter (Incl. 292) |
| 303 | TC-32958 | 1 | | Fuel Fitting |
| 315A | | 1 | | UNKNOWN |
| 326 | TC-36210 | 1 | | Screen Plug |
| 347 | TC-650949 | 1 | | Screw, 10-24 x 9/16" |
| 348 | | 1 | | UNKNOWN |
| 370 | | 1 | | UNKNOWN |
| 370A | | 1 | | UNKNOWN |
| 370D | | 1 | | UNKNOWN |
| 370R | | 1 | | UNKNOWN |
| 370U | | 1 | | UNKNOWN |
| 370G | TC-35274 | 1 | | Oil Instruction Decal 370R TC-36534 Warning Decal |
| 380 | TC-640330 | 1 | S | Carburetor (Incl. 184 & 212A) |
| 380A | | 1 | | UNKNOWN |
| 390 | | 1 | | UNKNOWN |
| 390A | | 1 | | UNKNOWN |
| 406 | | 1 | | UNKNOWN |
| 406A | | 1 | | UNKNOWN |
| 485 | | 1 | | UNKNOWN |



13A2693G190 LT-165 (2003)
Engine List 3

Page 19 of 31

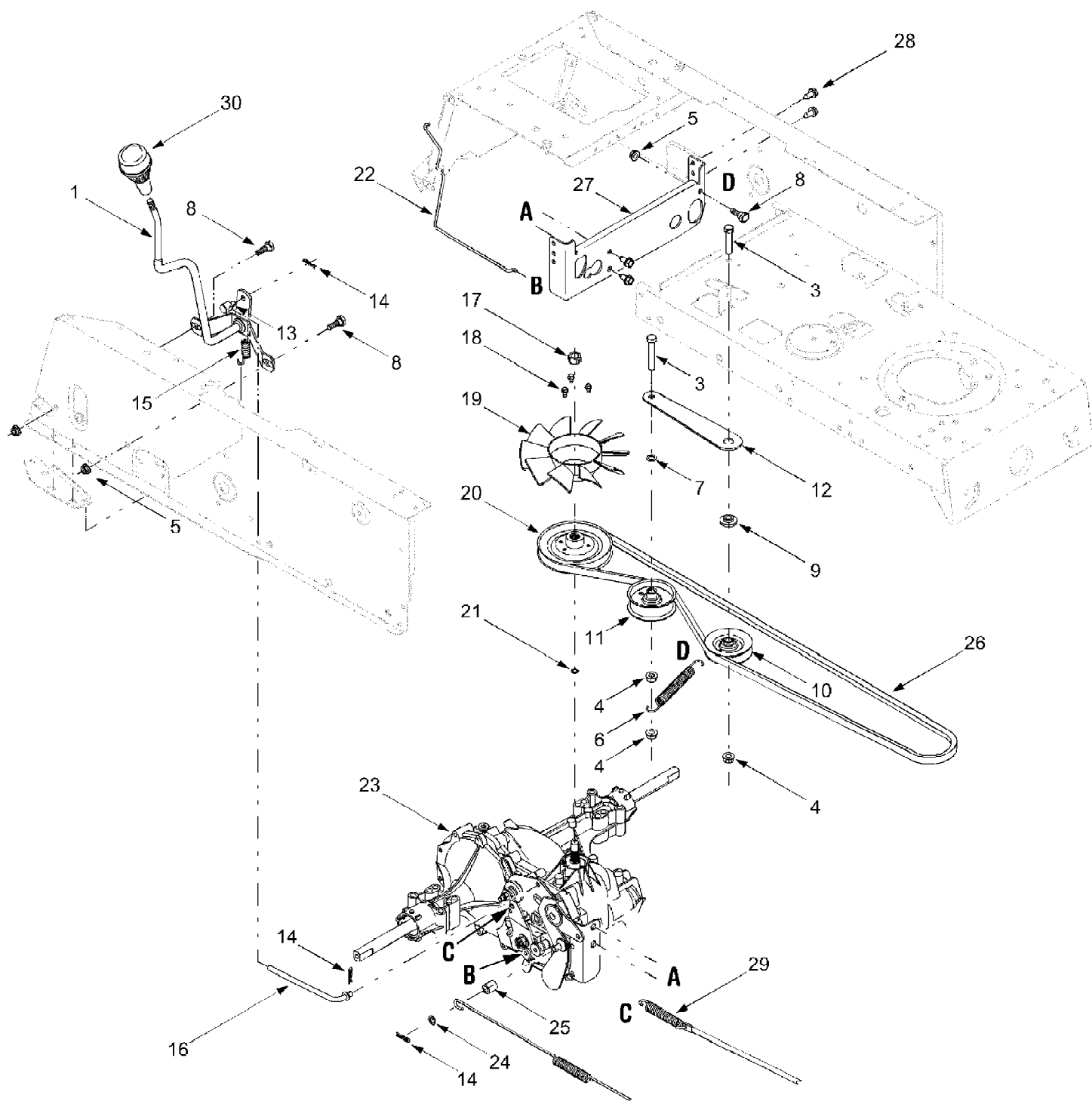
| Ref # | Part Number | Qty | S/P/F | Description |
|-------|-------------|-----|-------|--|
| 60 | TC-36361 | 1 | | Air Baffle |
| 60A | TC-650273 | 1 | | Screw, 5-16/18 x 17/32" |
| 60B | TC-650867 | 1 | | Screw, 10-24 x 1/2" |
| 60C | TC-650737 | 1 | | Screw, 1/4-20 x 1/2" |
| 65 | TC-30063 | 1 | | Screw, T-30, 1/4-20 x 1/2" |
| 66 | TC-650737 | 1 | | Screw, 1/4-20 x 1/2" |
| 210 | TC-27793 | 1 | /P | Conduit Clip |
| 211 | TC-28942 | 1 | /P | Screw, 10-32 x 3/8" |
| 265 | TC-36615 | 1 | | Cylinder Head Cover |
| 294 | TC-35791 | 1 | | Pulse Pump Repair Kit |
| 314 | TC-651007 | 1 | | Screw, T-15, 10-24 x 15/16" |
| 315 | TC-611280 | 1 | /P | Alternator Coil (3/5 Split) (Incl. 321, 322 & 323) |
| 319 | | 1 | | UNKNOWN |
| 320 | | 1 | | UNKNOWN |
| 325 | TC-36342 | 1 | | Wire Clip |
| 348 | | 1 | | UNKNOWN |



13A2693G190 LT-165 (2003)
Hood & Fuel Tank

Page 21 of 31

| Ref # | Part Number | Qty | S/P/F | Description |
|-------|-------------|-----|-------|-------------------------------------|
| 1 | 629-0469B | 1 | S | Headlamp Harness Assembly |
| 2 | 710-0642 | 1 | /P | Self-tapping Screw, 1/4-20 x .75 |
| 3 | 710-0751 | 1 | /P | Hex Screw, 1/4-20 x .620 |
| 4 | 710-3008 | 1 | /P | Hex Screw, 5/16-18 x .75 |
| 5 | 712-0185 | 1 | | U-type Speed Nut, 1/4-20 |
| 6 | 712-3004A | 1 | /P | Flange Lock Nut, 5/16-18 |
| 7 | 712-3027 | 1 | S | Flange Lock Nut, 1/4-20 |
| 8 | 725-0963 | 1 | S | Headlamp, 12V |
| 9 | 725-1651 | 1 | S | Headlamp Socket |
| 10 | 751-0555B | 1 | /P | Fuel Tank, 1.5 gal. |
| 11 | 751-0603 | 1 | S | Fuel Tank Cap |
| 12 | 731-1503A | 1 | S | Lens |
| 12 | 726-04077 | 1 | | Nut, Push 3/32 Not shown |
| 13 | 736-3078 | 1 | /P | Flat Washer, .344 x 1.0 x .063 |
| 14 | 738-0952A | 1 | S | Shoulder Screw, 1/4-20 x .375 /.125 |
| 15 | 726-0209 | 1 | /P | Cable Tie, 30.66 |
| 16 | 783-0156B | 1 | /P | Grille |
| 17 | 783-0250A | 1 | /P | Hood w/ Louvers |
| 18 | 736-3090 | 1 | /P | Flat Washer, .260 x .720 x .060 |
| 19 | 746-04020 | 1 | | Throttle / Choke Control, 18.5" |
| 20 | 783-0150B | 1 | /P | RH Side Panel |
| 21 | 783-0151B | 1 | | LH Side Panel |
| 22 | 725-1396 | 1 | S | Ignition Switch, 6-pin |
| 23 | 725-0201 | 1 | S | Keys (pair) |
| 24 | 731-04179 | 1 | S | Dash Panel |
| 25 | 17632C | 1 | S | Battery Support Bracket |
| 26 | 710-0599 | 1 | /P | Self-tapping Screw, 1/4-20 x .5 |
| 27 | 710-0607 | 1 | /P | Self-tapping Screw, 5/16-18 x .5 |
| 28 | 710-0788 | 1 | /P | Self-tapping Screw, 1/4-20 x 1.0 |
| 29 | 726-3054 | 1 | | U-type Speed Nut, 1/4-20 |




13A2693G190 LT-165 (2003)
Hydrostatic Control

Page 23 of 31


| Ref # | Part Number | Qty | S/P/F | Description |
|-------|-------------|-----|-------|-----------------------------------|
| 1 | 647-04007 | 1 | | Lever, Speed Control |
| ?2 | 710-3008 | 1 | /P | Hex Screw, 5/16-18 x .75 |
| 3 | 710-3011 | 1 | /P | Hex Screw, 3/8-16 x 2.25 |
| 4 | 712-0431 | 1 | S | Flange Lock Nut, 3/8-16 |
| 5 | 712-3004A | 1 | /P | Flange Lock Nut, 5/16-18 |
| 6 | 732-04053 | 1 | S | Extension Spring, .62 x 6.38 |
| 7 | 736-0117 | 1 | S | Flat Washer, .375 x .62 x .033 |
| 8 | 738-0296 | 1 | S | Shoulder Screw, .437 x .286 |
| 9 | 738-0347 | 1 | S | Shoulder Spacer, .625 x 1.16 |
| 10 | 756-0116 | 1 | S | V-Type Idler Pulley, 3.06 |
| 11 | 756-0981A | 1 | S | Flat Idler Pulley, 2.75 |
| 12 | 783-04165 | 1 | S | Idler Bracket |
| 13 | 711-0677 | 1 | S | Ferrule, 5/16-18 x .312 |
| 14 | 714-0104 | 1 | S | Cotter Pin |
| 15 | 732-0568 | 1 | S | Extension Spring, .50 x 2.54 |
| 16 | 747-04052 | 1 | | Hydrostatic Control Rod |
| 17 | 712-0239 | 1 | S | Hex Lock Nut, 1/2-20 |
| 18 | 710-3007 | 1 | /P | Screw, #12-24 x .375 |
| 19 | 731-1449A | 1 | S | Fan Blade, 10 |
| 20 | 756-1166 | 1 | | Transmission Pulley, 5.0 |
| 21 | 732-0729 | 1 | /P | Ring Wire |
| 22 | 747-1277B | 1 | /P | Hydrostatic Bypass Rod |
| 23 | 618-04027 | 1 | S | Hydrostatic Transmission |
| 24 | 736-0140 | 1 | S | Flat Washer, .385 x .62 x .063 |
| 25 | 750-0807 | 1 | | Spacer, .385 x .625 x .700 |
| 26 | 754-0338 | 1 | S | Belt |
| 27 | 783-0810A | 1 | S | Transmission Torque Bracket |
| 28 | 710-0726 | 1 | /P | Self-tapping Screw, 5/16-12 x .75 |
| 29 | 732-0716 | 1 | S | Extension Spring, .59 x 4.0 |
| 30 | 720-0218 | 1 | /P | Knob |

13A2693G190 LT-165 (2003)
Labels


(MODEL PLATE)




777120034
PLACED AGAINST
THE BAG HANDLE.




(2) 777D03484
ONE ON MIDDLE OF EACH SIDE
PLACE BOTTOM OF CUT OUT IN LABEL
AROUND MOLDED DOT IN PLASTIC PART



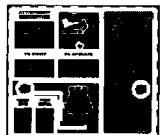
777X40219
REFLECTIVE LABEL -
PLACED ON GRILL
BEHIND HEADLIGHT LENS




777122085
TO THE LEFT OF
THE HYDRO RELEASE




777S32130
PLACE AROUND
HOLES IN RUNNING
BOARD




777S30145
TO THE UPPER
RIGHT OF THE
DISCHARGE CHUTE



777D06867
RIGHT SIDE



777D06868
LEFT SIDE



| REVISIONS | | | |
|-----------|-------------|------|----|
| REV | DESCRIPTION | DATE | BY |
| | | | |

777S32148
ON DRIVERS RIGHT SIDE
FACING BAG

IMPORTANT

Always inspect for condition, bag must be in correct position at deck and not empty.

When the discharge chute is used be present and in correct position at deck until all material is discharged to the discharge opening. P/N 95248.3 92710 AC

777120034
ON RIGHT SIDE
OF DASH

777D03399
CENTER ON REAR OF BAGGER

777D05399
ON STEERING CAP

777D06874
ON ENGINE SPINNER
FACING SEAT

777D06876
ON ENGINE

777D06873
Place On Left Side Of Deck
Butted Against Deck Nozzle.

777D06828
(2)

777122086
ON DECK NEAR BELT

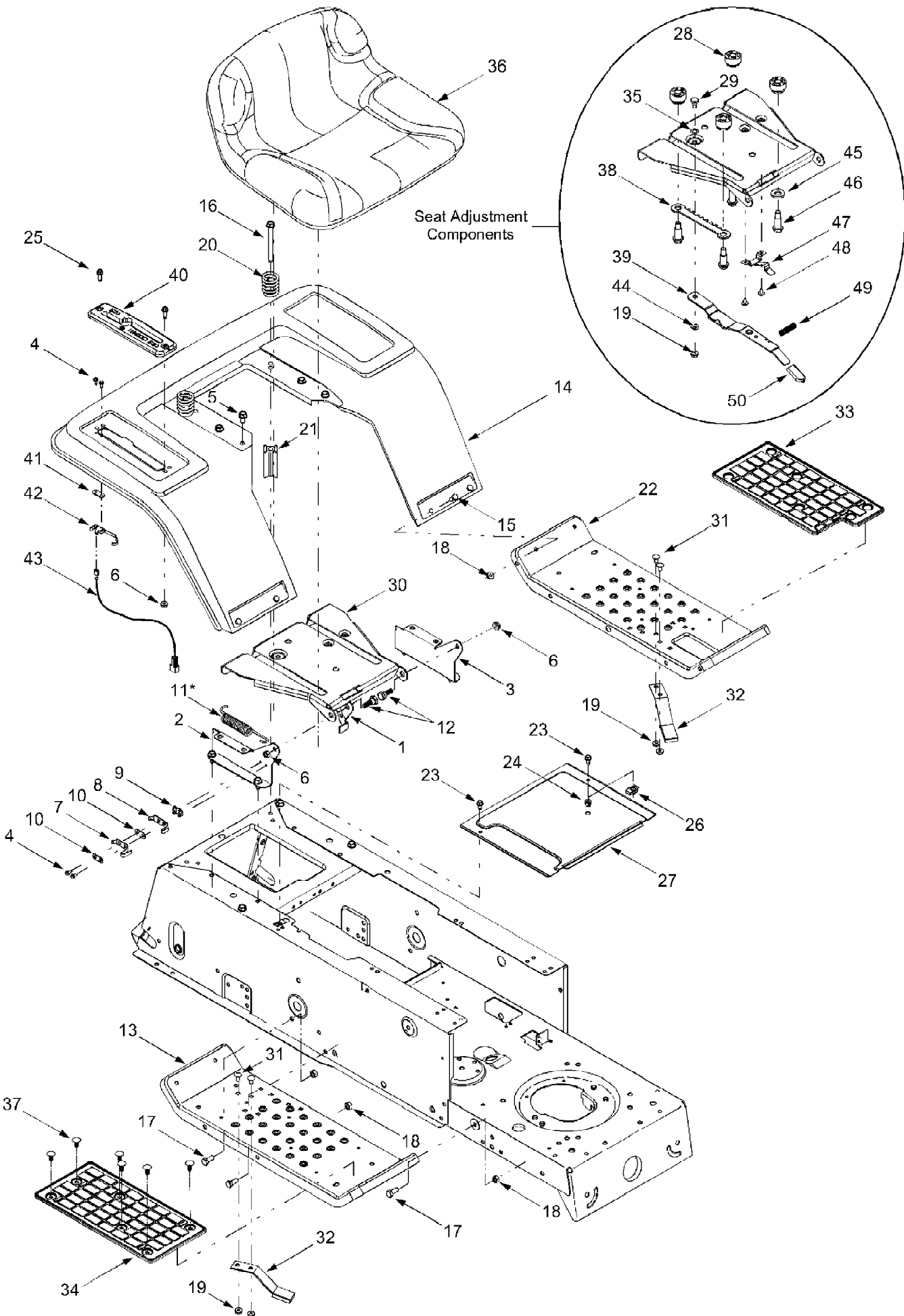
(QTY 2) 777S30018
ON BOTH SIDES
OF THE DECK

| | | |
|--|-------------------|--|
| MAP DRAWN BY A. SCHAEGLER | DATE: 10/23/02 |  <p>MTD PRODUCTS INC P.O. BOX 368022 CLEVELAND, OH 44136-0015</p> |
| INSTR. & SAFETY CHECKED BY Chris Ruhl | DATE: 10/29/02 | |
| ITEM DESCRIPTION | | 13B4516N190 |
| SHEET OF | | 1 1 |

13A2693G190 LT-165 (2003)
Labels

Page 25 of 31

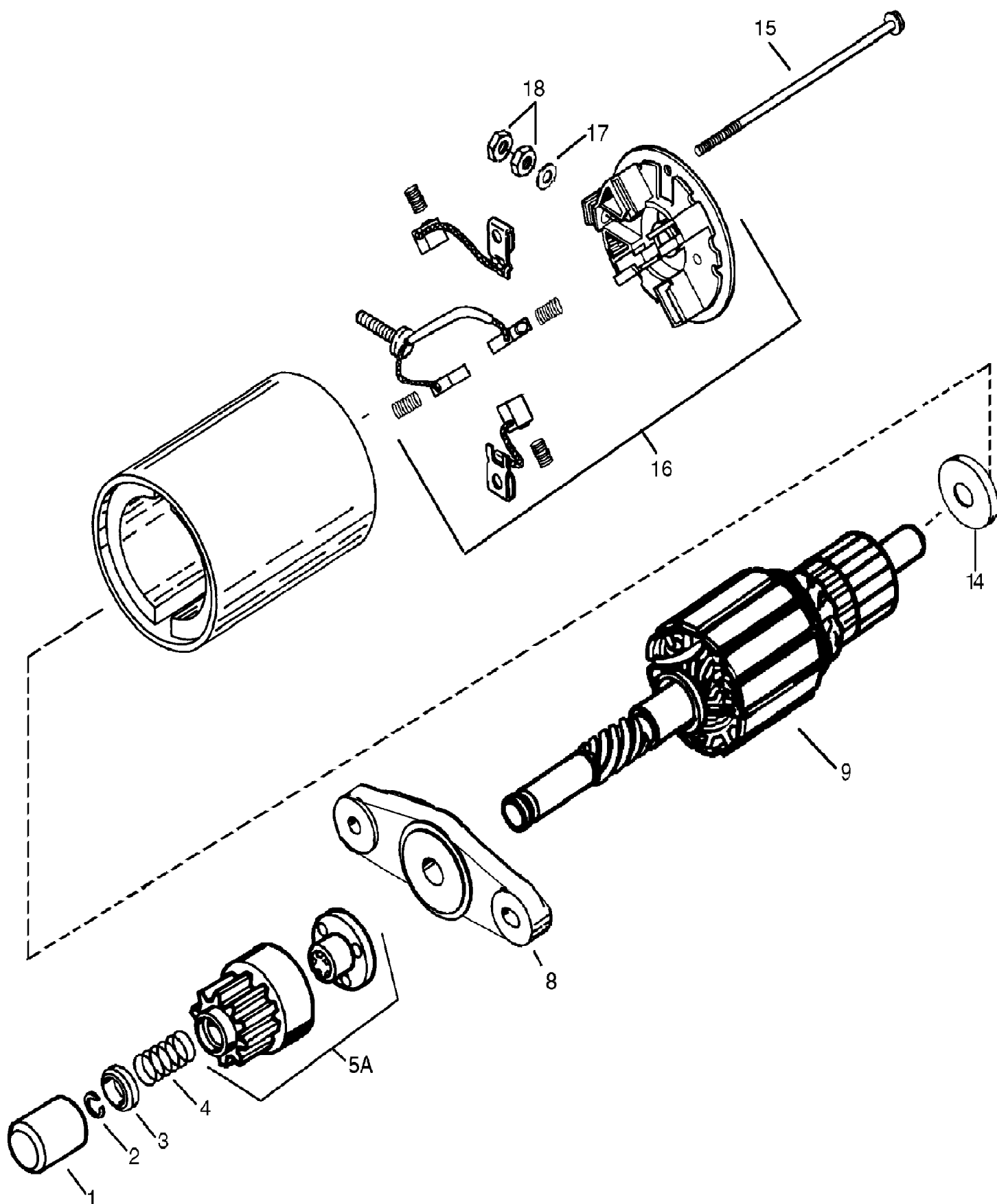
| Ref # | Part Number | Qty | S/P/F | Description |
|-----------|-------------|-----|-------|-------------------------------|
| 777I22034 | 777I22034 | 1 | | |
| 777D03484 | 777D03484 | 1 | S | USE 777D09750 LABEL-RIDER HDS |
| 777X40219 | 777X40219 | 1 | | LABEL-LENS REFLECT |
| 777I22085 | 777I22085 | 1 | | LABEL-HYDRO RELEAS |
| 777S32130 | 777S32130 | 1 | | LABEL-RUNNING BOAR |
| 777S30145 | 777S30145 | 1 | S | USE 977S30145 |
| 777D06867 | 777D06867 | 1 | | LABEL-HOODSIDE RH |
| 777D06868 | 777D06868 | 1 | | LABEL-HOODSIDE LH |
| 777I22086 | 777I22086 | 1 | | LABEL-DECK |
| 777S30018 | 777S30018 | 1 | /P | LABEL-DECK SAFETY |
| 777D06873 | 777D06873 | 1 | | LABEL-DECK |
| 777D05399 | 777D05399 | 1 | /P | LABEL-STEERING CAP |
| 777D06876 | 777D06876 | 1 | | LABEL-ENGINE |
| 777D06874 | 777D06874 | 1 | | LABEL-ENGINE |
| 777D03399 | 777D03399 | 1 | | LABEL-FENDER DX70 |
| 777I20776 | 777I20776 | 1 | | LABEL-HANDLE |
| 777I20881 | 777I20881 | 1 | | LABEL-DASH |
| 777S32148 | 777S32148 | 1 | | LABEL-BAG SAFETY |
| 777D06828 | 777D06828 | 1 | | LABEL-SIDE PNL |



13A2693G190 LT-165 (2003)
Seat, Fender, Frame

Page 27 of 31

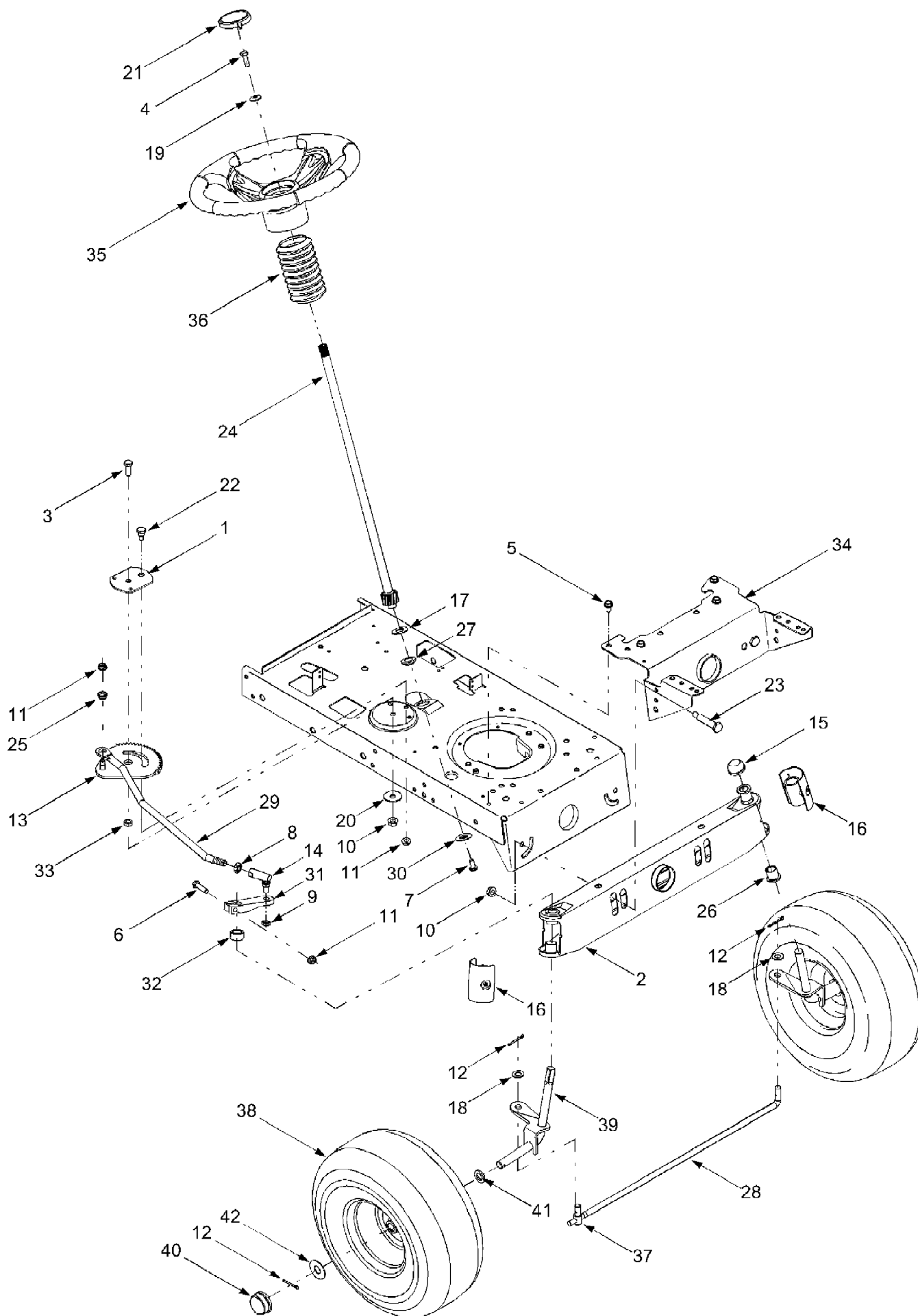
| Ref # | Part Number | Qty | S/P/F | Description |
|-------|-------------|-----|-------|--------------------------------------|
| 1 | 17239A | 1 | S | Seat Lift Bracket |
| 2 | 17950A | 1 | S | RH Pivot Support Bracket, Seat |
| 3 | 17951A | 1 | S | LH Pivot Support Bracket, Seat |
| 4 | 710-0227 | 1 | /P | Self-tapping Screw, #8-18 x .50 |
| 5 | 710-0726 | 1 | /P | Self-tapping Screw, 5/16-12 x .75 |
| 6 | 712-3004A | 1 | /P | Flange Lock Nut, 5/16-18 |
| 7 | 725-1303 | 1 | S | Outer Seat Spring Switch |
| 8 | 725-1439 | 1 | | Inner Seat Spring Switch |
| 9 | 726-0278 | 1 | | Insulator Plate Boss |
| 10 | 726-0279 | 1 | | Insulator Plate |
| 11 | 732-0581B | 1 | S | Extension Spring, .75 x 5.31 |
| 12 | 738-0296 | 1 | S | Shoulder Screw, .437 x .286 |
| 13 | 17770G | 1 | S | Running Board |
| 14 | 17871C | 1 | /P | Fender |
| 15 | 710-0751 | 1 | /P | Hex Screw, 1/4-20 x .620 |
| 16 | 710-1208 | 1 | /P | Self-tapping Screw, 5/16-18 x 3.5 |
| 17 | 710-3008 | 1 | /P | Hex Screw, 5/16-18 x .75 |
| 18 | 712-0429 | 1 | S | Nylon Lock Nut, 5/16-18 |
| 19 | 712-3027 | 1 | S | Flange Lock Nut, 1/4-20 |
| 20 | 732-0735 | 1 | /P | Compression Spring, 1.314 x 2.55 |
| 21 | 748-0347A | 1 | /P | Spacer |
| 22 | 783-04139 | 1 | | LH Running Board |
| 23 | 710-0599 | 1 | /P | Self-tapping Screw, 1/4-20 x .5 |
| 24 | 731-0405 | 1 | | Snap Bushing, 1/4 |
| 25 | 710-0642 | 1 | /P | Self-tapping Screw, 1/4-20 x .75 |
| 26 | 726-3054 | 1 | | U-Clip Nut, 1/4-20 |
| 27 | 783-04094 | 1 | | Cover Panel |
| 28 | 731-04074 | 1 | | Spacer |
| 29 | 938-0137A | 1 | /P | Shoulder Screw, .340 x .285, 1/4- 20 |
| 30 | 783-0607A | 1 | S | Seat Pivot Bracket |
| 31 | 710-0167 | 1 | /P | Carriage Screw, 1/4-20 x .50 |
| 32 | 761-0168B | 1 | S | Blade Spindle Brake Assembly |
| 33 | 735-04009 | 1 | /P | LH Rubber Foot Pad |
| 34 | 735-0689A | 1 | /P | RH Rubber Foot Pad |
| 35 | 736-0204 | 1 | /P | Flat Washer, .344 x .62 |
| 36 | 757-0363A | 1 | S | Low Back Seat, Black |
| 37 | 726-3046 | 1 | /P | Ratchet Clip, .250 Dia |
| 38 | 783-0753 | 1 | | Seat Select Bracket |
| 39 | 783-0609 | 1 | | Seat Adjustment Lever |
| 40 | 731-1734 | 1 | S | Speed Index Bracket |
| 41 | 726-0320 | 1 | S | Insulator Nut Plate |
| 42 | 725-1713 | 1 | | Spring Switch |
| 43 | 725-1399 | 1 | | Wire Extension, Reverse |
| 44 | 736-0175 | 1 | S | Spring Washer |
| 45 | 736-3019 | 1 | | Flat Washer, .531 x 1.062 x .134 |
| 46 | 738-0966 | 1 | S | Shoulder Screw, .50 x .925, 3/8-16 |
| 47 | 783-0611 | 1 | | Seat Stop |
| 48 | 710-1268 | 1 | /P | Screw, #10-16 x .375 |
| 49 | 732-0499 | 1 | | Compression Spring |
| 50 | 720-0309A | 1 | /P | Grip |



13A2693G190 LT-165 (2003)
Starter

Page 29 of 31

| Ref # | Part Number | Qty | S/P/F | Description |
|-------|-------------|-----|-------|---|
| | TC-36795 | 1 | /P | Electric Starter (12 Volt) |
| 1 | TC-33841 | 1 | | Dust Cover |
| 2 | TC-33842 | 1 | | Retainer Ring |
| 3 | TC-33843 | 1 | | Spring Retainer |
| 4 | TC-33854 | 1 | | Anti-drift Spring |
| 5A | TC-36853 | 1 | | Gear & Nut (Incl. 2) |
| 8 | TC-36854 | 1 | | Drive End Cap Assembly |
| 9 | TC-36855 | 1 | | Armature |
| 14 | TC-35897 | 1 | | Thrust Washer |
| 15 | TC-36856 | 1 | | Case Bolt |
| 16 | TC-37442 | 1 | | End Cap & Brush Card Ass'y (Incl. 14, 17, & 18) |
| 17 | TC-650168 | 1 | | Washer |
| 18 | TC-650864 | 1 | /P | Nut |
| | TC-758219 | 1 | S | Replacement Engine |
| | TC-758218 | 1 | S | Shortblock (not shown) |



13A2693G190 LT-165 (2003)
Steering, Front Wheel & Axle

Page 31 of 31

| Ref # | Part Number | Qty | S/P/F | Description |
|-------|-------------|-----|-------|--|
| 1 | 17198A | 1 | S | Retainer Gear Segment Plate |
| 2 | 683-0002A | 1 | S | Pivot Bar, .625 |
| 3 | 710-0514 | 1 | /P | Hex Cap Screw, 3/8-16 x 1.0 |
| 4 | 710-0643 | 1 | /P | Hex Cap Screw, 5/16-18 x 1.0 |
| 5 | 710-0726 | 1 | /P | Self-tapping Screw, 5/16-12 x .75 |
| 6 | 710-0805 | 1 | /P | Hex Cap Screw, 5/16-18 x 1.5 |
| 7 | 710-1309 | 1 | /P | Machine Screw, 5/16-18 x .75 |
| 8 | 712-0240 | 1 | S | Jam Nut, 7/16-20 (Grade 2) |
| 9 | 712-0262 | 1 | /P | Jam Nut, 3/8-24 |
| 10 | 712-0431 | 1 | S | Flange Lock Nut, 3/8-16 |
| 11 | 712-3004A | 1 | /P | Flange Lock Nut, 5/16-18 |
| 12 | 714-0470 | 1 | S | Cotter Pin, 1/8 x 1.25 |
| 13 | 717-1757 | 1 | S | Steering Segment Gear |
| 14 | 723-0448A | 1 | S | Ball Joint, 7/16 -20 |
| 15 | 726-0214 | 1 | /P | Push Cap, .625 |
| 16 | 731-04058 | 1 | | Axle End Cap, w/ Fitting |
| 17 | 736-0187 | 1 | /P | Flat Washer, .64 x 1.24 x .060 |
| 18 | 736-0226 | 1 | S | Flat Washer, .474 x .879 x .064 |
| 19 | 736-0242 | 1 | /P | Bell Washer, .34 x .872 x .060 |
| 20 | 736-0356 | 1 | S | Bell Washer, .391 x .380 x .062 |
| 21 | 731-04039 | 1 | | Steering Wheel Cap, Small |
| 22 | 738-0141 | 1 | S | Shoulder Screw, .435 x .350, 5/16-18 |
| 23 | 738-0527 | 1 | S | Shoulder Screw, .498 x 2.045 |
| 24 | 738-0919 | 1 | S | Steering Shaft, 21.86 |
| 25 | 741-0475 | 1 | S | Plastic Bushing, .38 ID |
| 26 | 741-0487A | 1 | S | Flange Bushing, .632 ID |
| 27 | 741-0656 | 1 | S | Hex Flange Bearing, 5/8 |
| 28 | 747-04057 | 1 | | Tie Rod, Adjustable |
| 29 | 747-1268A | 1 | S | Steering Drag Link, 7/16-20 |
| 30 | 748-0389 | 1 | S | Cap, 1.25 x .16 |
| 31 | 748-04014A | 1 | S | Steering Arm |
| 32 | 748-04020 | 1 | S | Spacer, 1.0 x .645 x .56 |
| 33 | 750-0535 | 1 | S | Spacer, .380 x .625 x .21 |
| 34 | 783-0041A | 1 | S | Pivot Bar Bracket |
| 35 | 631-04028 | 1 | | Steering Wheel, Three Spoke |
| 36 | 731-0954 | 1 | S | Steering Bellow, 4.75" |
| 37 | 711-04059 | 1 | S | Ferrule, 3/8-24 x .437 Dia |
| 38 | 634-0105A | 1 | S | Square Shoulder Wheel Ass'y Complete |
| 39 | 683-04016 | 1 | S | RH Axle Assembly |
| | 683-04015 | 1 | S | LH Axle Assembly |
| 40 | 731-0484A | 1 | S | Hub Cap |
| 41 | 736-0162 | 1 | /P | Flat Washer, .64 x 1.0 x .12 |
| 42 | 736-0285 | 1 | /P | Flat Washer, .635 x 1.589 x .06 |
| | 634-0105A | 1 | S | Wheel Ass'y Complete (Square Shoulder) |
| | 634-0172 | 1 | | Rim Assembly (Square Shoulder) |
| | 741-0706 | 1 | S | Inner Bearing (Flange w/Fitting) Square Shoulder |
| | 741-0487A | 1 | S | Outer Bearing (Plastic Flange) Square Shoulder |
| | 734-1731 | 1 | | Tire Only (15 x 6 x 6) Square Shoulder |
| | 734-0255 | 1 | S | Air Valve (Square Shoulder) |